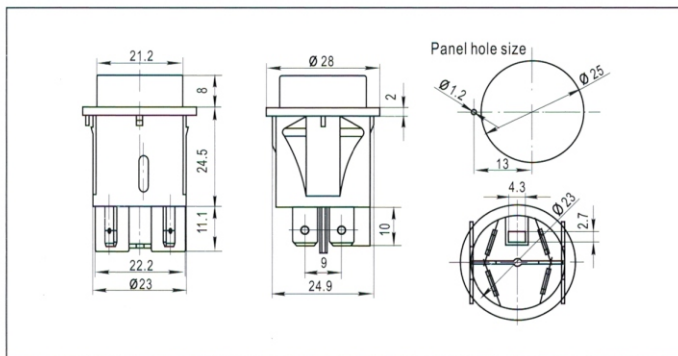


Since 1995, we focus on switches



16(6)A 250VAC 1E4 T125/55
10(4)A 250VAC 5E4 T125/55
3/4HP 250VAC
1/2HP 250VAC
16A 125VAC T105

RL5-1(P) - 21/N - RE/BK - P1 - 0... (2)

